

■ Order by Part Number

## Illustrated Parts

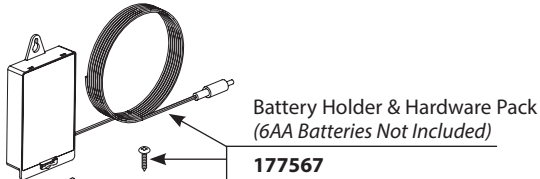
**ALIGN™ with MOTIONSENSE™**  
**Hands-Free, Single-Handle High Arc**  
**Pulldown Kitchen Faucet**

**MODELS**

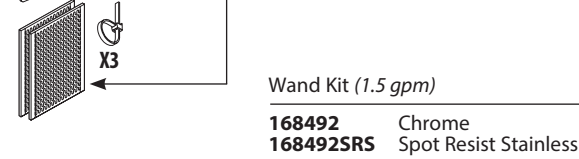
7565EC  
 7565ESRS

**FINISH**

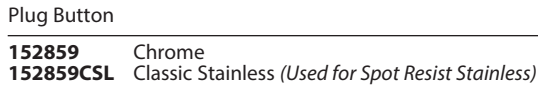
Chrome  
 Spot Resist Stainless



Battery Holder & Hardware Pack  
 (6AA Batteries Not Included)



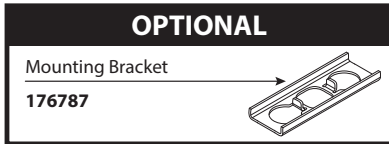
Wand Kit (1.5 gpm)



Plug Button

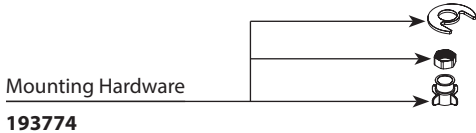


Spout Kit

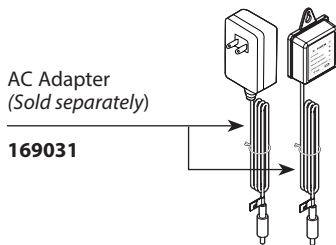


**OPTIONAL**

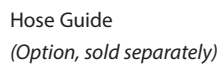
Mounting Bracket  
**176787**



Mounting Hardware



AC Adapter  
 (Sold separately)

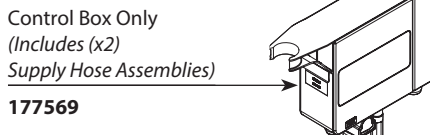


Hose Guide  
 (Option, sold separately)

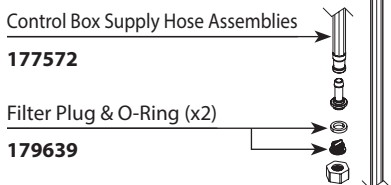
Isolates the pulldown hose from plumbing lines and other items under the kitchen sink.



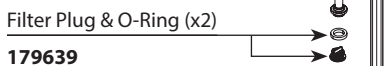
Electronics Box Only



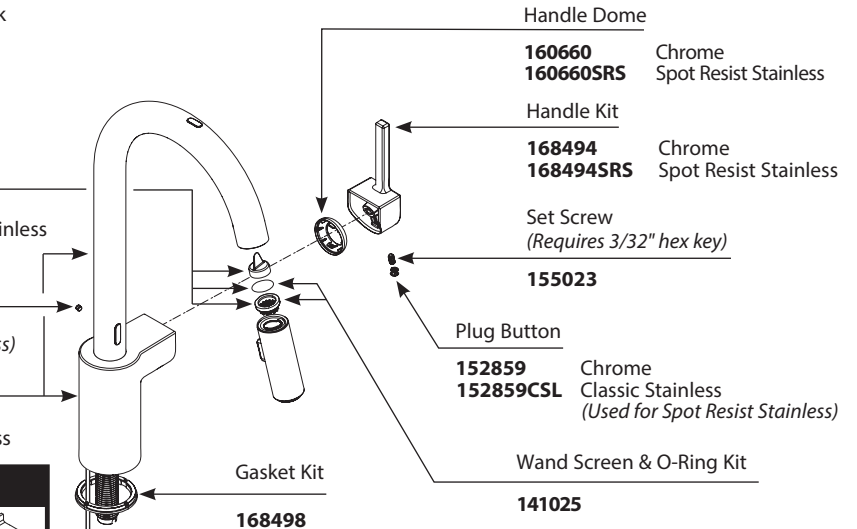
Control Box Only  
 (Includes (x2)  
 Supply Hose Assemblies)



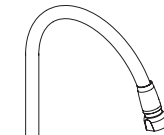
Control Box Supply Hose Assemblies



Filter Plug & O-Ring (x2)



**Cartridge and cartridge nut are not serviceable items.**



Hose Kit

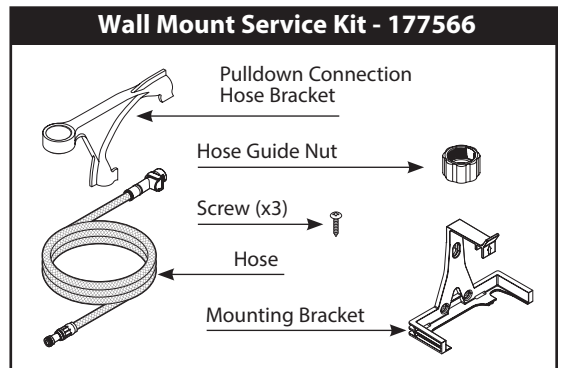
**150259**

Weight Kit

**150260**

3-Hole Escutcheon  
 (Option, Sold Separately)

**141002** Chrome  
**141002SRS** Spot Resist Stainless



Installation Tool

**118305**