



Buy it for looks. Buy it for life.®

DESCRIPTION

- Metal construction with various finishes identified by suffix
- Designed to be installed on a 1/2" pipe slip fit-CC connection

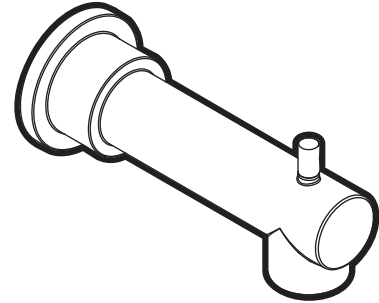
STANDARDS

- Third party certified to meet ASME A112.18.1/ CSA B125.1 and all applicable requirements referenced therein

WARRANTY

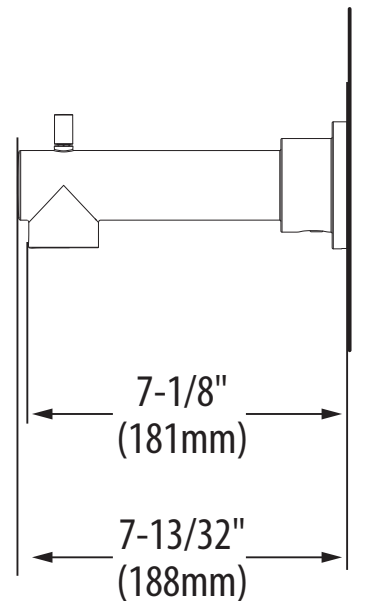
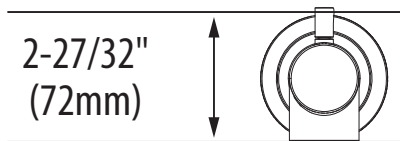
- Lifetime limited warranty against leaks, drips and finish defects to the original consumer purchaser
- 5 year warranty if used in commercial installations

Specifications



ALIGN™
Diverter Tub Spout 1/2" Slip Fit

Models: 172656 series



CRITICAL DIMENSIONS

(DO NOT SCALE)