

Modern Technical Specification

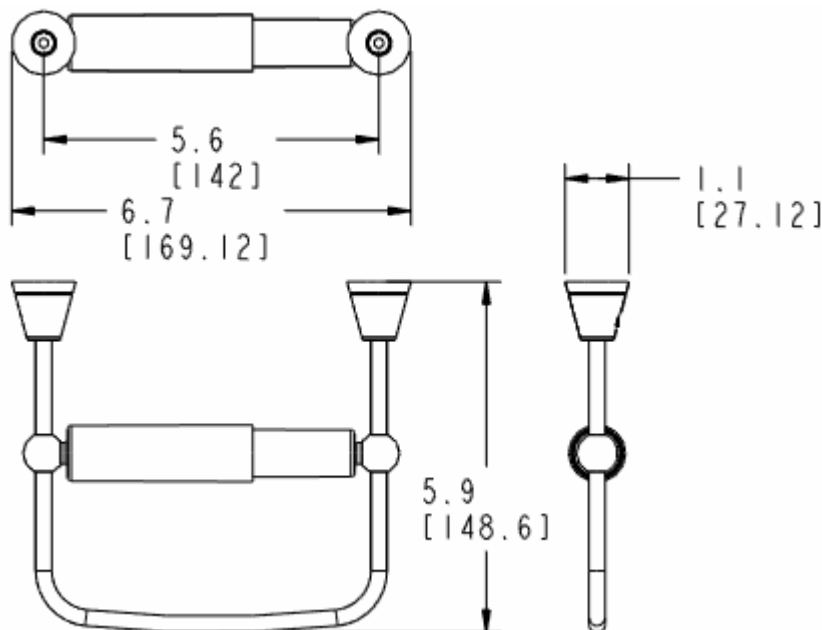
Paper Holder

DN6608

Stock Numbers:

- q **DN6608CHG – Paper Holder**
Chrome Finish
Green Tinted Clear Acrylic Disc
Concealed Screw Mounting

Dimensions:



Materials:

Paper Holder base is die cast from the highest quality zinc alloy (zamac). Hook is steel. Metal parts are triple plated in a polished chrome finish. Base ring is clear tinted acrylic.

Installation Instructions:

1. Position unit on wall in desired location.
2. Lightly mark the outlines of the bases of the unit.
3. Remove mounting cones from the unit by loosening the set screws.
4. Attach cones to wall using 1 ¼" screws (provided), with the set screws pointing down.
5. Insert ends of unit into mounting cones and tighten set screws.

Note: Wood blocking is preferable behind all wall surfaces.

If wood blocking is not available, the following optional fasteners are suggested: Tile/Masonry – Plastic or Lead Anchors; Plaster/Drywall – Toggle Bolts

Cleaning Instructions:

To preserve the fine finish of this product, clean only with a soft damp cloth. Dry well. Do not use commercial or abrasive cleaners.

Stock Number: _____ **Paper Holder**
By CSI Bath Furnishings



25300 AL MOEN DRIVE • NORTH OLMSTED, OH 44070 (800) 321-8809 •
FAX: (800) 848-6636 • INTERNATIONAL: (440) 962-2000 •
FAX: (440) 962-2726 CUSTOMER SERVICE (USA): 800-882-0116
©Copyright CSI Bath Furnishing Division of Moen 02/22/01

Literature #BA1027