

Home Care Technical Specification

Add-On Handles

DN7095

Stock Numbers:

- **DN7095 – Add-On Handles**
Pebble
2 Handles per package
Includes 4 screws and washers.

For use on:

DN7060 – Adjustable Tub / Shower Chair

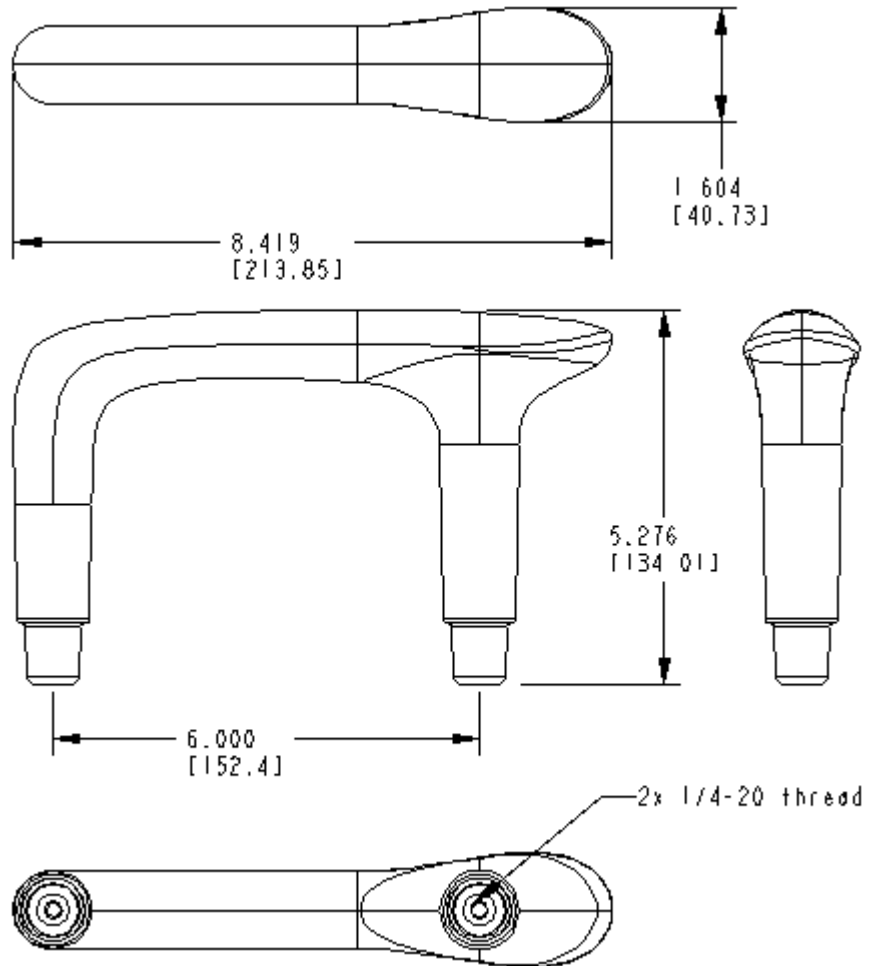
DN7065 – Transfer Bench

DN7070 – Elevated Toilet Seat

Materials:

Add-On Handles are made from polypropylene. Screws and washers are stainless steel.

Dimensions:



Installation Instructions:

Mounting diagram included in packaging.

Stock Number: _____ **Add-On Handles**
By Creative Specialties



25300 AL MOEN DRIVE • NORTH OLMSTED, OH 44070
CORPORATE HEADQUARTERS: (800) 321-8809 • FAX: (800) 848-6636
INTERNATIONAL: (440) 962-2000 • FAX: (440) 962-2726
CUSTOMER SERVICE (USA): 800-882-0116 • FAX: (888) 379-2720
WWW.MOEN.COM

©Copyright Creative Specialties International

Literature #BA1686