

# Home Care Technical Specification

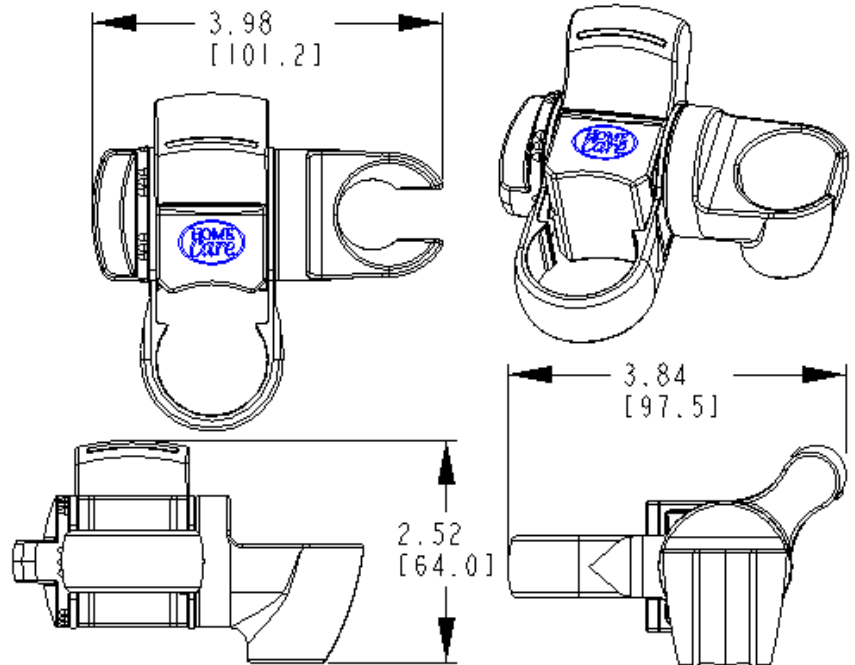
## Grab Bar Shower Holder

# DN8005

### Stock Numbers:

- DN8005 – Grab Bar Shower Holder  
White

### Dimensions:



### Materials:

Grab Bar Shower Holder is made of ABS Plastic.

### Installation Instructions:

1. Unscrew cap from assembly.
2. Slide cradle out of assembly.
3. Slide the grab bar grip out of assembly.
4. Identify the diameter size of your grab bar.
  - a). For 1-1/4" grab bars, use the 1-1/4" grip that was pre-installed with your Grab Bar Holder.
  - b). For 1-1/2" grab bar, use the alternate grip provided.
5. After selecting the grip, slide it around your grab bar.
6. With the bar grip around your grab bar, locate the tab inside the grip and line it up to the triangular cut inside the handle assembly.
7. Slide the handle assembly into place.
8. Screw cap onto assembly. Do not over tighten.
9. Position the holder along the grab bar. While holding the Grab Bar Holder in place, push down on the tab of the holder assembly and slide the holder along the grab bar to the desired location.
10. Flip the tab up to lock into place.

Stock Number: \_\_\_\_\_ GB Shower Holder  
By Creative Specialties

25300 AL MOEN DRIVE • NORTH OLMSTED, OH 44070  
CORPORATE HEADQUARTERS: (800) 321-8809 • FAX: (800) 848-6636  
INTERNATIONAL: (440) 962-2000 • FAX: (440) 962-2726  
CUSTOMER SERVICE (USA): 800-882-0116 • FAX: (888) 379-2720  
WWW.MOEN.COM

©Copyright Creative Specialties International

Literature #BA1354

