



Buy it for looks. Buy it for life.®

# Specifications

## SINK DESCRIPTION

- Manufactured of 18 gauge, stainless steel
- The larger bowl is 14" x 16" x 10" and the smaller bowl is 14" x 16" x 8"
- Has two 3-1/2" diameter recessed drain openings
- Soundshield undercoating maximizes sound deadening and inhibits condensation
- Made in U.S.A.
- Silicone sealant not provided. Includes mounting bracket. Other standard mounting hardware not included

## INSTALLATION

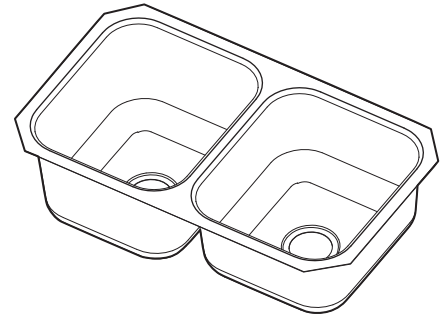
- Template enclosed with sink.
- Template ordering number 22508.

## STANDARDS

- Third party certified to ASME A112.19.3/CSA B45.4 and all applicable specifications referenced therein

## WARRANTY

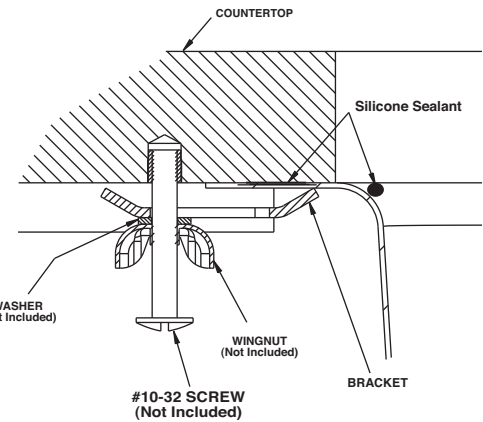
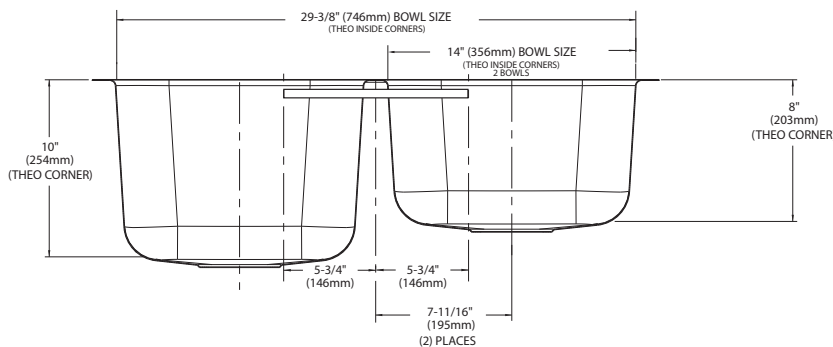
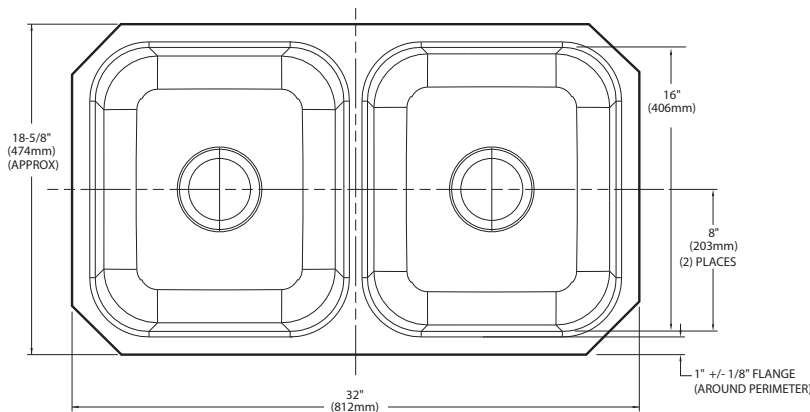
- Limited lifetime warranty against material or manufacturing defects



### Lancelot® Undermount Double Bowl Sink

Model: S22358

(UMTLDEDL-29" x 16" x 10" x 8")



### Installation Detail

## CRITICAL DIMENSIONS

(DO NOT SCALE)